

ACCESSORIES

BOWL VACUUM FILTER



- ▶ 압력범위 / Pressure range : - 0.1 ~ 0 MPa
- ▶ 제거효율 / Removal efficiency : 20 μm
- ▶ 재질 / Material : PA, PC, PE
- ▶ 사용온도 / Working temperature : - 20 ~ 100°C

진공흐름에 먼지나 기타 작은 입자를 거름.
 펌프의 작동중단 위험을 감소시킴.
 필터교체 가능.

To filter dust and other small particles from the vacuum flow.
 To reduce the risk of operation breakdown or stoppage in the pump.
 Filter element replaceable.

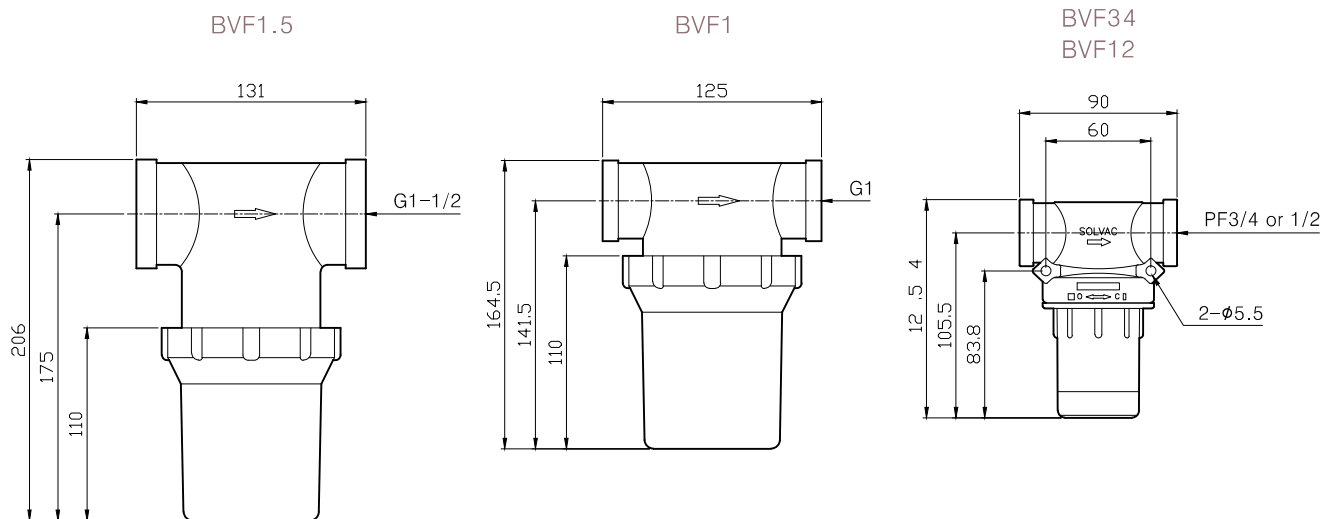
기술데이터 / Design data

MODEL	BVF 12	BVF 34	BVF 1	BVF1.5
내부넓이 / Internal volume (cm ³)	205	205	495	675
최대유량 / Max. flow (NI/ s)	14	16	62	85
필터면적 / Filter area (cm ²)	103	103	226	226
중량 / Weight (g)	184	182	495	534

교체부품 / Replacement parts

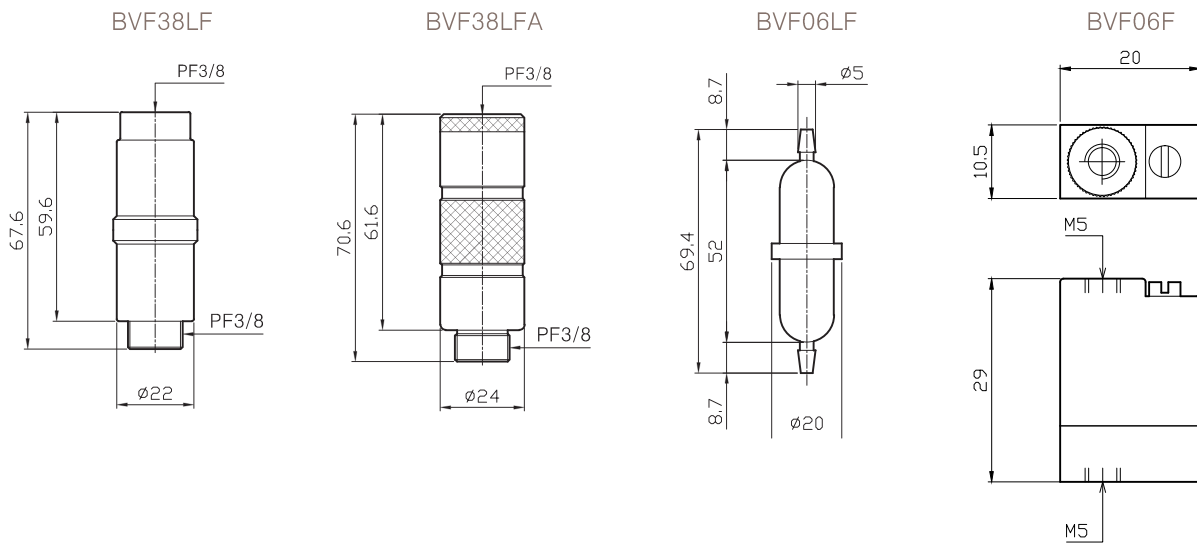
유형 / Type	Art. NO.	필터 / Filter	재질 / Material	중량 / Weight (g)
Filter element 1/2"	FE12	Vacuum filter 1/2"	PE	22
Filter element 3/4"	FE34	Vacuum filter 3/4"	PE	22
Filter element 1"	FE1	Vacuum filter 1"	PE </td <td>64</td>	64
Filter element 1-1/2"	FE112	Vacuum filter 1-1/2"	PE	74

Dimensions



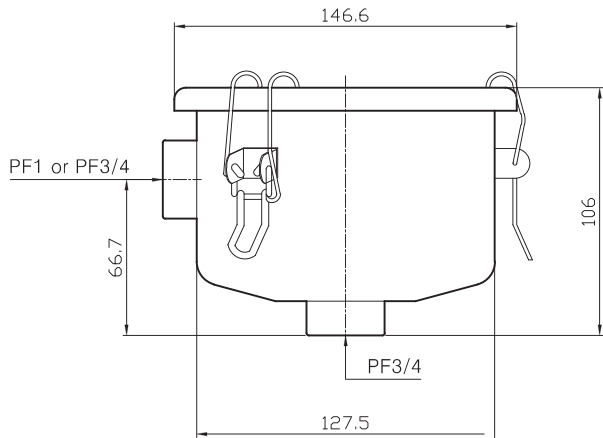
※ 품질 향상을 위해 예고없이 사양이 변경될 수 있음.
 Specifications subject to change without notice.

DIMENSION



MODEL	Internal volume(cm) ³	Max. flow (NI/sec)	Weight (g)	Working temperature	Material
BVF38LF	25	4.0	12.0	-20℃~100℃	PP, PE
BVF38LFA	26	4.0	28	-20℃~100℃	AL, PE
BVF06LF	10	1.8	4.2	-20℃~100℃	PP, PE
BVF06F	1.8	1.8	11	-20℃~100℃	AL, PE

SVF1
SVF34



Internal volume 1120 (cm³)
 최대 유량 Max. flow 54 (NI/sec)
 중량 Weight 905 (g)

MODEL	Internal volume(cm) ³	최대유량 Max. flow (NI/sec)	중량 Weight (g)	사용온도 Working temperature
SVF34	1120	54	905	-20℃~100℃
SVF1	1120	54	905	-20℃~100℃