

ACCESSORIES VG40N



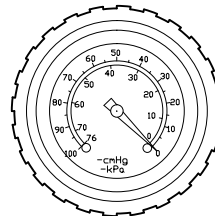
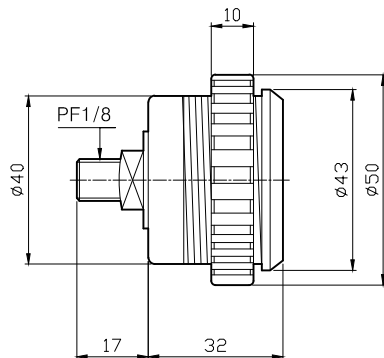
- ▶진공도 / Vacuum level : 0 to - 100 kPa
- ▶정확도 / Accuracy : ±1.6 % Full scale
- ▶중량 / Weight : 58g (with nut) 너트포함
52g (without nut) 너트불포함

고품질, 탁월한 내구성.
특히 고정너트로 판넬플레이트에 직접 설치가능.

This vacuum gauges are high quality & reach a very long life time.
Specially, can be mounted directly into the panel plate with fixing nut.

Dimensions

VG40N



※품질 향상을 위해 예고없이 사양이 변경될 수 있음.
Specifications subject to change without notice.