

SUCTION CUP

MP80BV/MP100BV/MP150BV



조절밸브부착형 MP진공컵 / MP with control valve

- ▶ 버튼밸브내장형
- ▶ 에너지, 비용절함
- ▶ 평상시 닫힌상태의 버튼밸브는 패드와 작업물의 접촉 시 진공발생. 작업물이 탈착되면 버튼밸브가 원상태로 복귀.

- ▶ Button valve integrated type,
- ▶ Saving in energy and cost
- ▶ Nomal close type of button valve sucts workpiece rapidly when cup contact with workpieces. When object is released, Button valve set back to be closed.

적용 / Application
합판, 석재, 벽돌
Brick, Veneer, Stone

Order no.

MP ① BV - ②

① 진공컵 Ø / Size

80 : Ø 80

100 : Ø 100

150 : Ø 150

② 나사규격 / Thread size

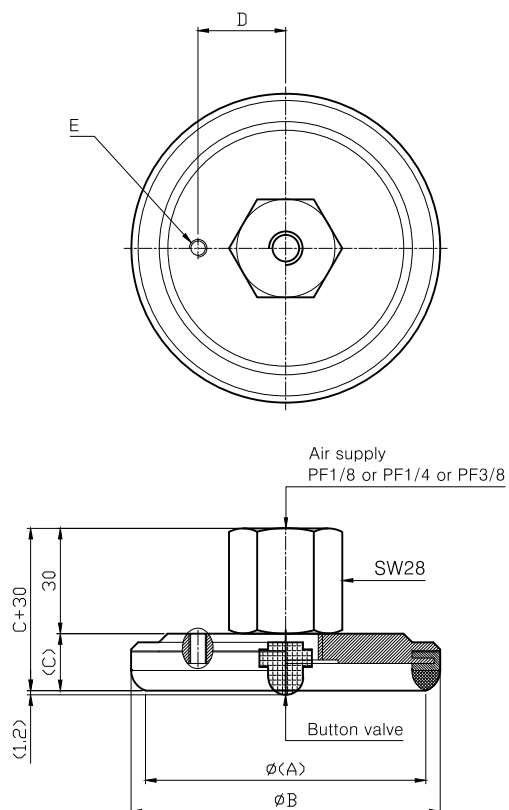
18F : PF 1/8 " female

14F : PF 1/4 " female

38F : PF 3/8 " female

※ Cup material : EPDM

Dimension



Model	A	B	C	D	E
MP80-BV	80	88.2	16.3	25	M5
MP100-BV	100	108	19.8	25	M5
MP150-BV	150	158	19.8	35	PF1/8

(mm)

※품질 향상을 위해 예고없이 사양이 변경될 수 있음.
Specifications subject to change without notice.