

VACUUM PUMP BMF



공급 압력 / Feed pressure : 0.4 ~ 0.6 MPa
 에어 소모량 / Air consumption : 900 ~ 4850 Nℓ/m
 최대 진공 / Max vacuum : - 92 kPa
 소음도 / Noise level : 55 ~ 68 dBA
 재질 / Material : AL
 사용온도 / Working temperature : - 20 ~ 80 °C
 중량 / Weight : 4584 ~ 18700g

Order no.

BMF ① - ②

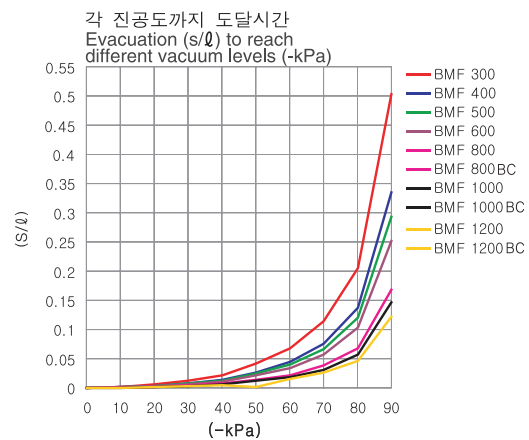
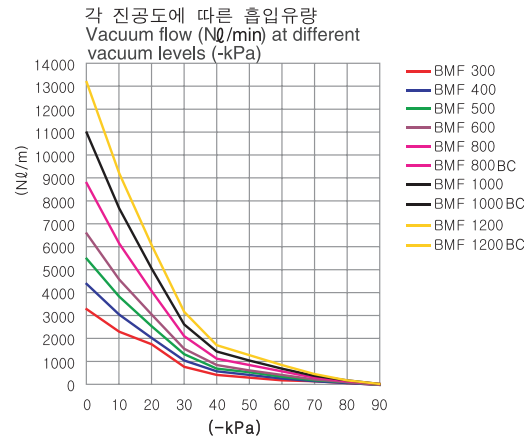
① 용량 / CAPACITY

전기모터펌프 동일한 용량
 Capacity equivalent to
 electricity motor pump size

- 300 : 3300Nℓ/min (3 KW)
- 400 : 4400Nℓ/min (4 KW)
- 500 : 5500Nℓ/min (5 KW)
- 600 : 6600Nℓ/min (6 KW)
- 800 : 8800Nℓ/min (8 KW)
- 800BC : 8800Nℓ/min (8 KW)
- 1000 : 11000Nℓ/min (10 KW)
- 1000BC : 11000Nℓ/min (10 KW)
- 1200 : 13200Nℓ/min (12 KW)
- 1200BC : 13200Nℓ/min (12 KW)

② 씰링 / SEALING

- N : NBR(표준 씰 / Standard seal)
- V : VITON
- E : EPDM
- NR : NON RETURN VALVE & NBR SEAL
- NV : NON RETURN VALVE & VITON SEAL
- NE : NON RETURN VALVE & EPDM SEAL



※품질 향상을 위해 예고없이 사양이 변경될 수 있음.
 Specifications subject to change without notice.

DESIGN DATA

펌프의 특징 / Pump Characteristics

MODEL	최대 진공 Max.Vacuum -kPa(-mmHg)	최대 진공 유량 Max.Vacuum flow(Nℓ/min)	에어 소모량 Air consumption (Nℓ/min)	소음도 noise level (dBA)	중량 weight (g)	최소 호스 내경 \varnothing (2m 이내) Min hose inner \varnothing (within 2m)		
						공급 air supply	진공 vacuum	배기 exhaust
BMF 300	-92 (-690)	3300	900 ~ 1260	55 ~ 65	4584	>12	>32	>40
BMF 400		4400	1200 ~ 1680	55 ~ 65	4939	>12	>40	>60
BMF 500		5500	1500 ~ 2100	65 ~ 68	5275	>14	>40	>60
BMF 600		6600	1800 ~ 2520	65 ~ 68	5578	>14	>45	>70
BMF 800		8800	2400 ~ 3360	65 ~ 68	12300	>15	>50	>75
BMF 800BC		8800	2400 ~ 3360	65 ~ 68	12300	>15	>50	>75
BMF 1000		11000	3000 ~ 4140	65 ~ 68	15800	>18	>65	>90
BMF 1000BC		11000	3000 ~ 4140	65 ~ 68	15800	>18	>65	>90
BMF 1200		13200	3890 ~ 4850	65 ~ 68	18700	>20	>70	>100
BMF 1200BC		13200	3890 ~ 4850	65 ~ 68	18700	>20	>70	>100

진공흡입유량 (Nℓ/min) / Induce air in liters per minute (Nℓ/min)

MODEL	-mmHg -kPa	75	150	225	300	375	450	525	600	675
	0 (-mmHg) 0 (-kPa)	10	20	30	40	50	60	70	80	90
BMF 300	3300	2310	1781	793	435	324	216	140	85	9.6
BMF 400	4400	3080	2036	1058	580	432	288	160	95	12.8
BMF 500	5500	3850	2545	1323	725	540	360	200	100	16
BMF 600	6600	4620	3055	1588	870	648	432	240	120	19.2
BMF 800	8800	6164	4076	2119	1160	864	576	320	160	25.6
BMF 800BC	8800	6164	4076	2119	1160	864	576	320	160	25.6
BMF 1000	11000	7700	5090	2646	1450	1080	720	400	200	32
BMF 1000BC	11000	7700	5090	2646	1450	1080	720	400	200	32
BMF 1200	13200	9240	6190	3219	1770	1328	890	498	249	40
BMF 1200BC	13200	9240	6190	3219	1770	1328	890	498	249	40

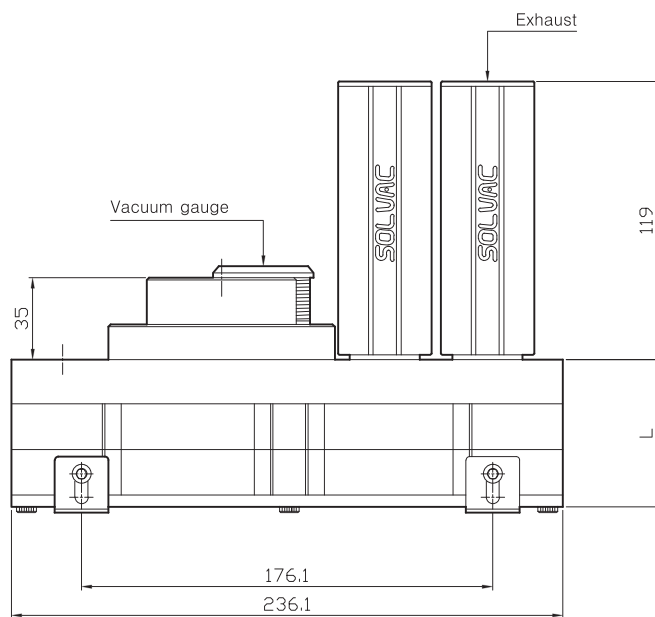
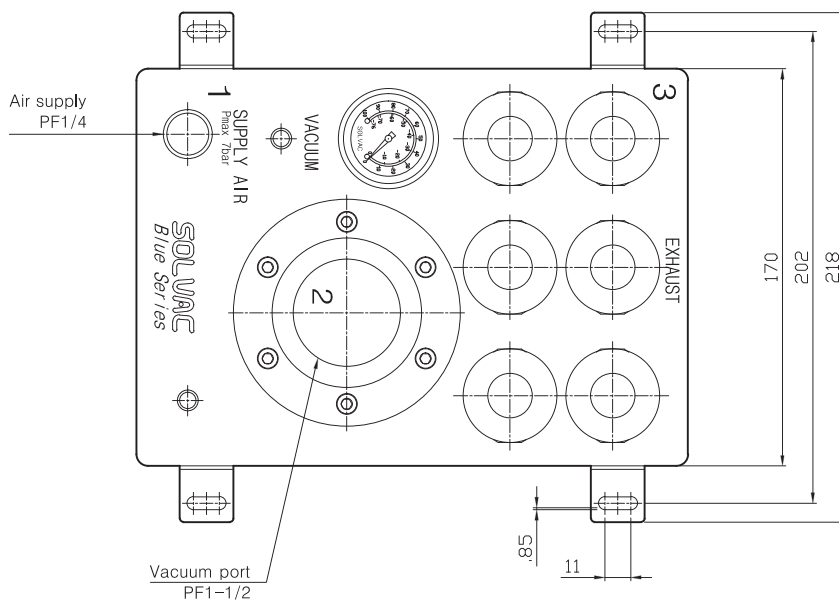
진공도달시간 (sec/ℓ) / Time in seconds to evacuate to vacuum level (sec /ℓ)

MODEL	-mmHg -kPa	75	150	225	300	375	450	525	600	675
	0 (-mmHg) 10 (-kPa)	20	30	40	50	60	70	80	90	
BMF 300	0.002	0.006	0.012	0.022	0.041	0.068	0.115	0.206	0.503	
BMF 400	0.002	0.004	0.008	0.014	0.027	0.045	0.076	0.137	0.335	
BMF 500	0.001	0.003	0.007	0.013	0.024	0.040	0.067	0.120	0.294	
BMF 600	0.001	0.003	0.006	0.011	0.021	0.034	0.057	0.103	0.252	
BMF 800	0.001	0.002	0.004	0.007	0.014	0.022	0.038	0.068	0.168	
BMF 800BC	0.001	0.002	0.004	0.007	0.014	0.022	0.038	0.068	0.168	
BMF 1000	0.001	0.001	0.003	0.006	0.013	0.020	0.030	0.050	0.150	
BMF 1000BC	0.001	0.001	0.003	0.006	0.013	0.020	0.030	0.050	0.150	
BMF 1200	0.001	0.001	0.002	0.005	0.012	0.019	0.028	0.045	0.140	
BMF 1200BC	0.001	0.001	0.002	0.005	0.012	0.019	0.028	0.045	0.140	

※품질 향상을 위해 예고없이 사양이 변경될 수 있음.
Specifications subject to change without notice.

DIMENSION

BMF(300, 400, 500, 600) type



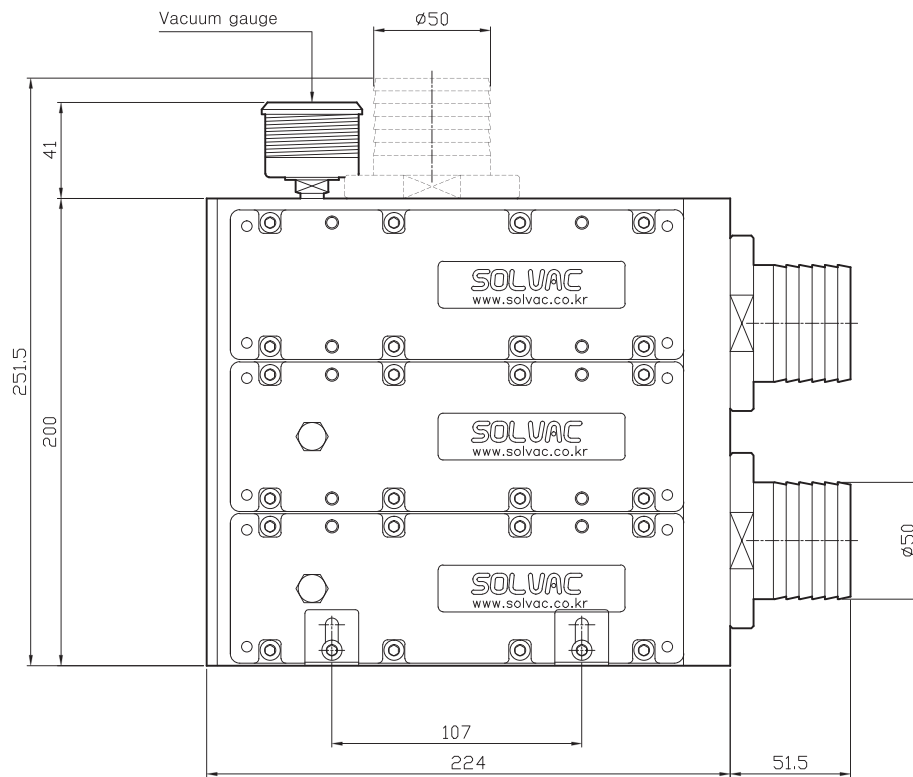
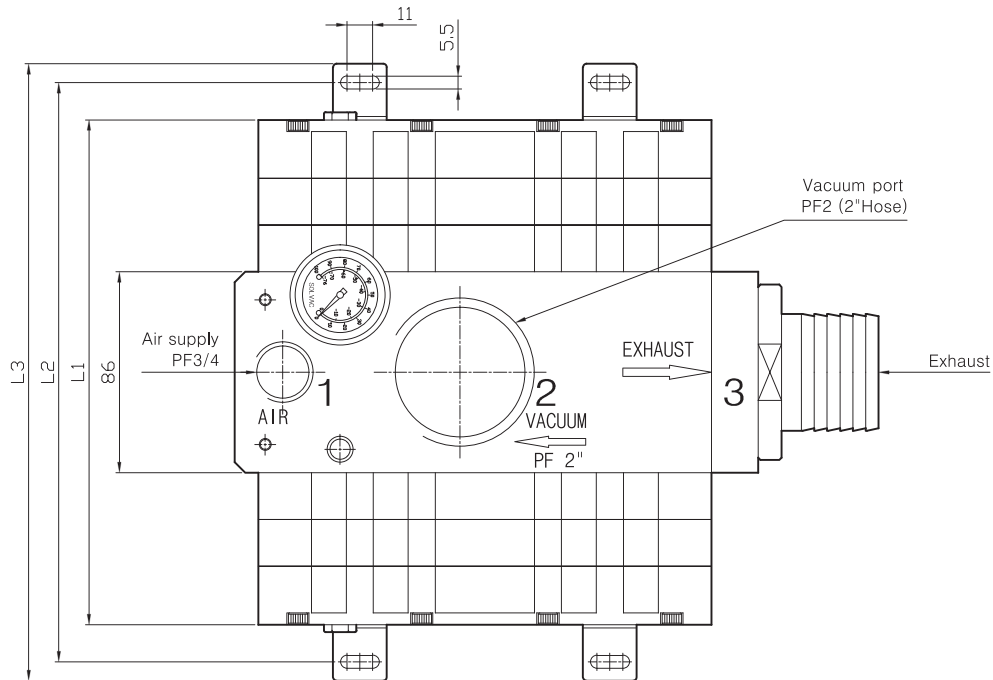
(mm)

MODEL	L
BMF300	63
BMF400	
BMF500	82.5
BMF600	

※품질 향상을 위해 예고없이 사양이 변경될 수 있음.
Specifications subject to change without notice.

DIMENSION

BMF(800BC, 1000BC, 1200BC) type



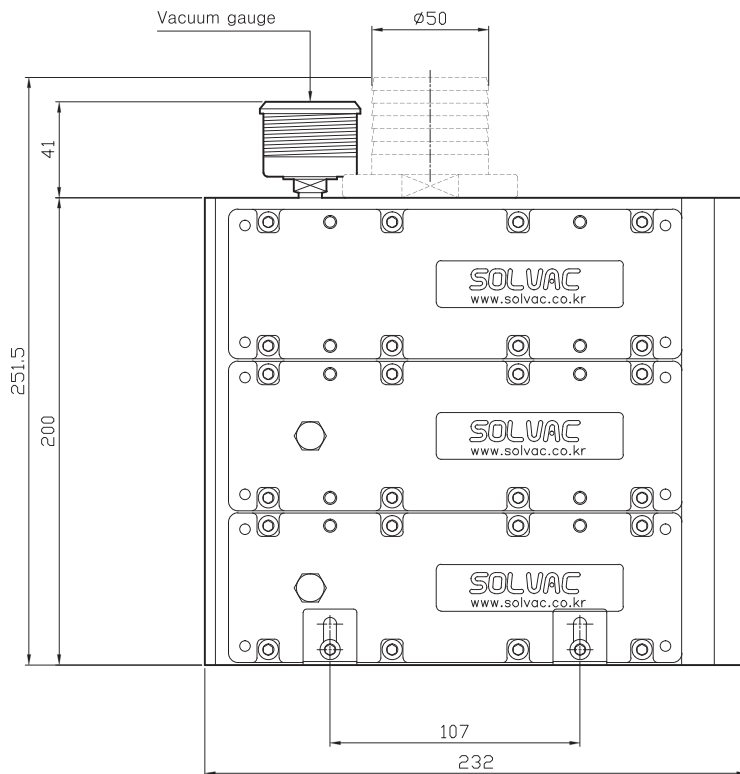
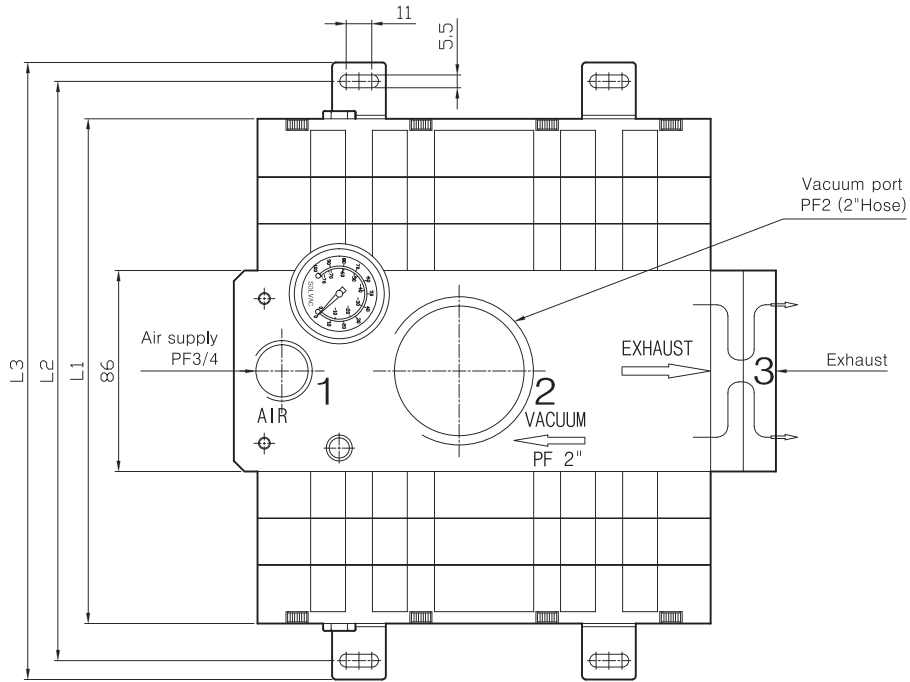
(mm)

MODEL	L1	L2	L3
BMF800BC	216	248	264
BMF1000BC	256	288	304
BMF1200BC	256	288	304

※품질 향상을 위해 예고없이 사양이 변경될 수 있음.
Specifications subject to change without notice.

DIMENSION

BMF(800, 1000, 1200) type



MODEL	L1	L2	L3
BMF800	216	248	264
BMF1000	256	288	304
BMF1200	256	288	304

(mm)

※품질 향상을 위해 예고없이 사양이 변경될 수 있음.
Specifications subject to change without notice.